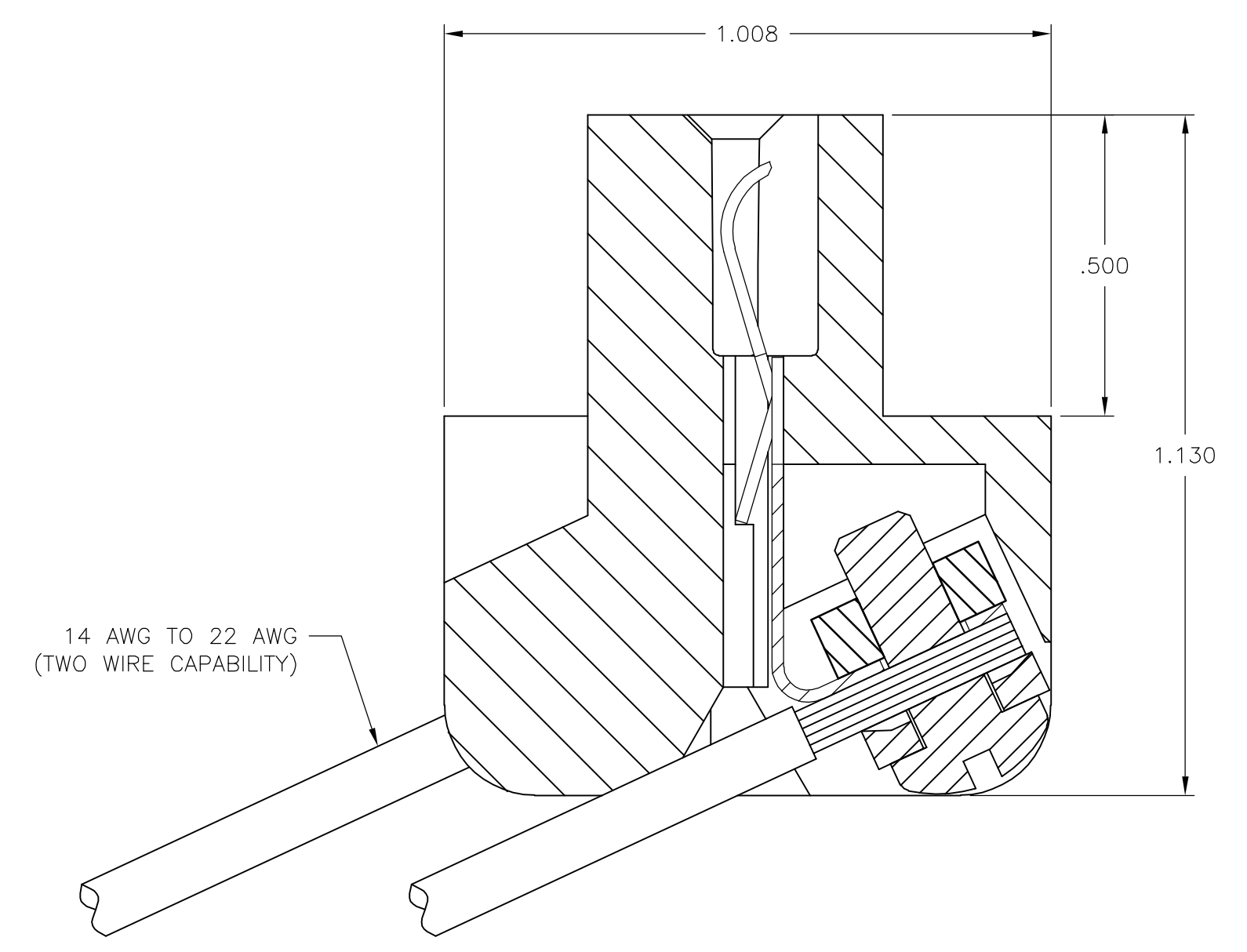
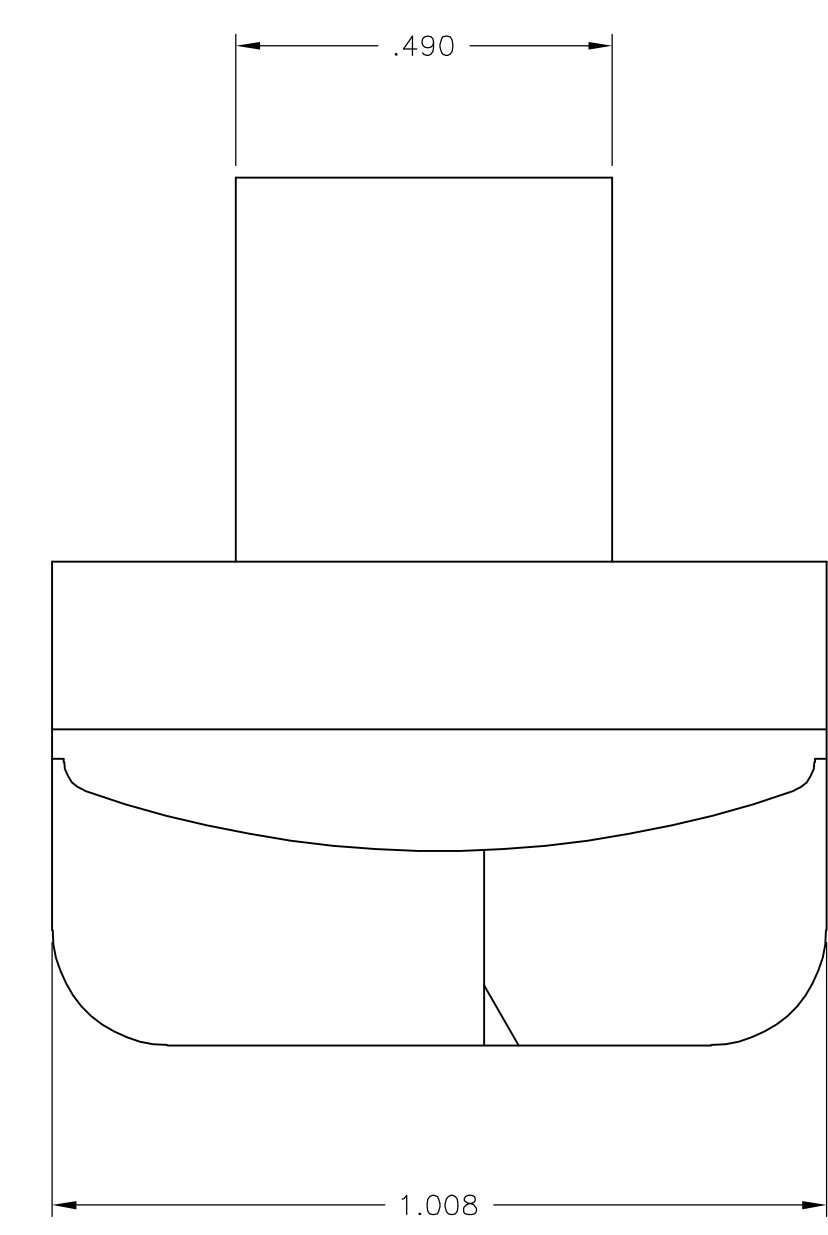
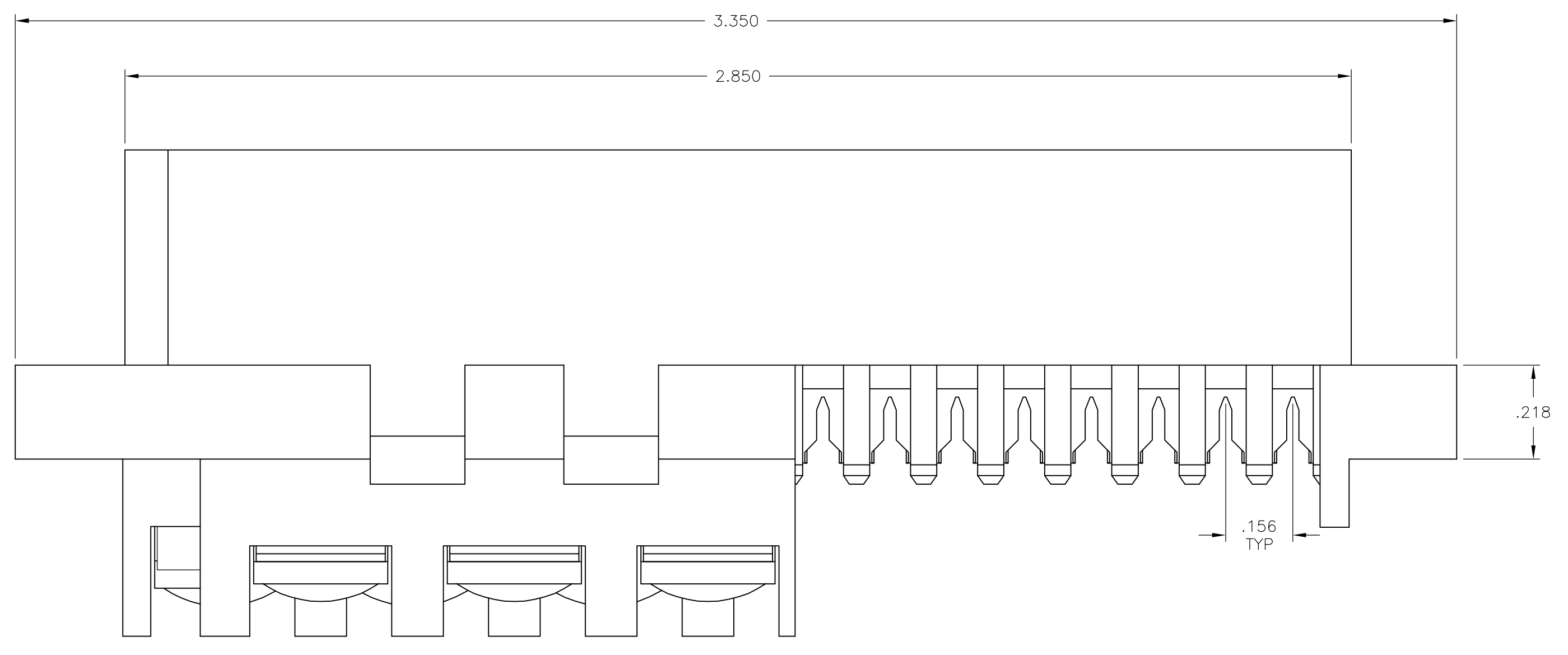
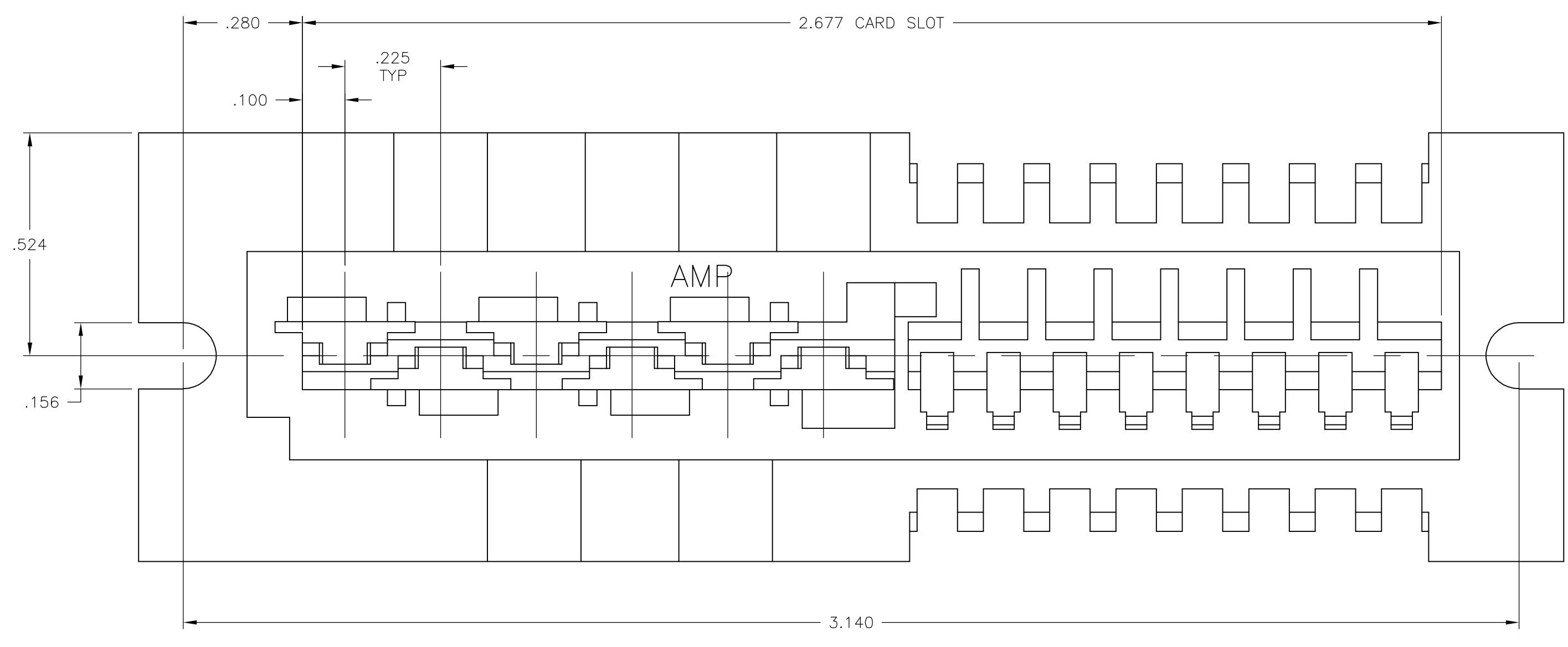
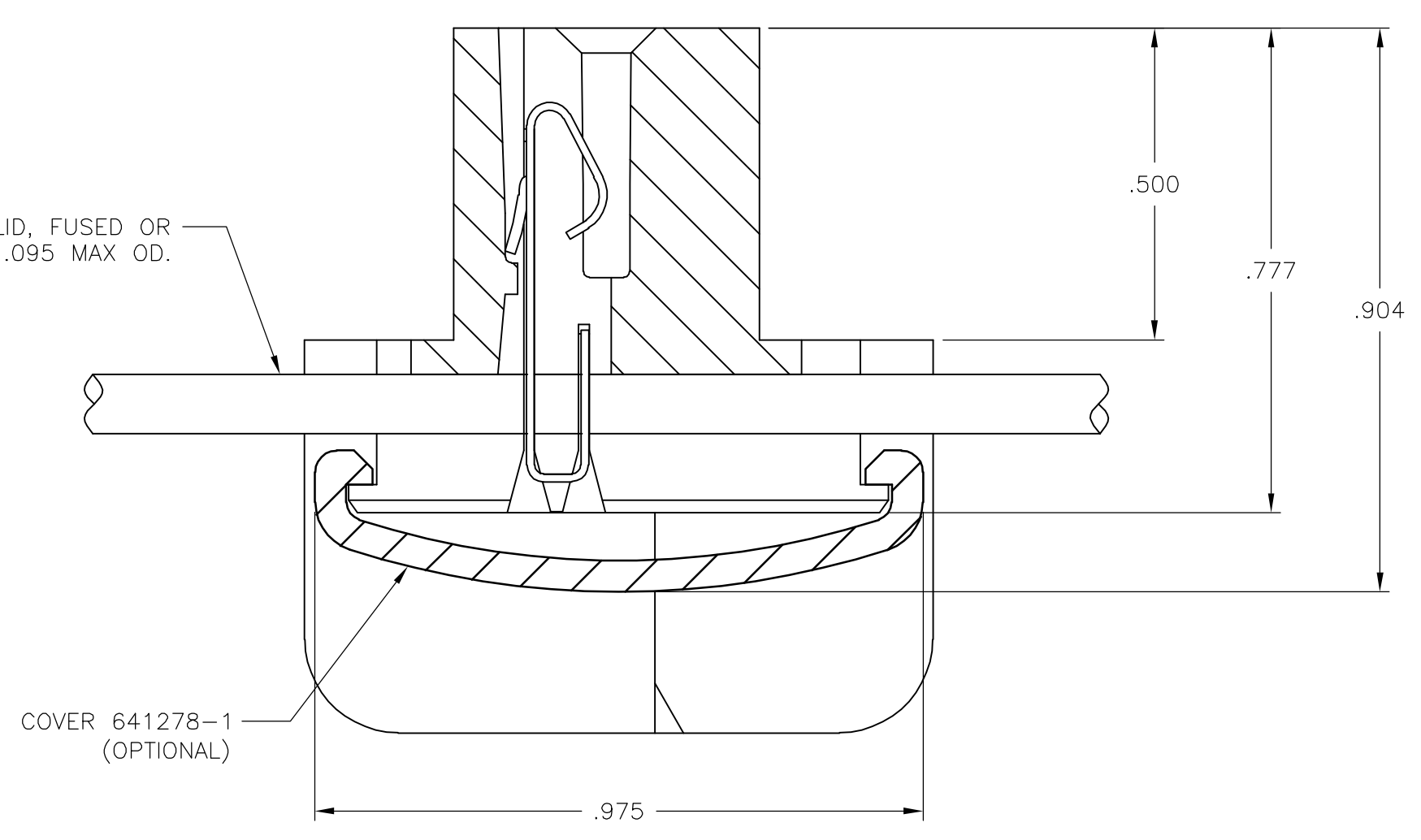


LOC		DIST		REVISIONS			
FT	O	P	LTR	DESCRIPTION	DATE	OWN	APVD
		J		REVISED PER ECO-07-004106	2/21/07	SS	DC

- DESIGNED FOR .062±.0075 THICK PRINTED CIRCUIT BOARD.
 - DESIGNED TO CONFORM TO UL 250V COMMERCIAL SPACINGS.
 - PRINTED CIRCUIT BOARD EDGE CONFIGURATION PER CP78-36020.
- ▲ MUST BE PURCHASED SEPERATELY.
 ▲ TIN-LEAD PLATE .000100 MIN THK OVER NICKEL UNDERPLATE .000050 MIN THK.
 ▲ GOLD PLATE .000030 MIN THK OVER NICKEL UNDERPLATE .000050 MIN THK.
 ▲ TIN PLATE .000100 MIN THK OVER NICKEL UNDERPLATE .000050 MIN THK.



18 AWG SOLID, FUSED OR
 7 STRANDED, .095 MAX OD.



OBSOLETE	▲	1-641277-1
	▲	641277-2
	▲	641277-1
		FINISH PART NUMBER

THIS DRAWING IS A CONTROLLED DOCUMENT.

DIMENSIONS: INCHES	TOLERANCES UNLESS OTHERWISE SPECIFIED:	DIN S SCHLEGEL 03APR2006	4/4/06	tyco Electronics	Tyco Electronics Corporation Harrisburg, PA 17105-3608
0 PLC ± -	1 PLC ± -	APVD D COURS 4/4/06	NAME	MULTIPLE-TAP/MTA ASSY	
2 PLC ± -	3 PLC ± -	APPLICATION SPEC	SIZE	CAGE CODE	DRAWING NO
4 PLC ± -	ANGLES ± -	WEIGHT	A1	00779	641277
MATERIAL	FINISH	CUSTOMER DRAWING	SCALE	4:1	SHEET 1 OF 1

RESTRICTED TO: -